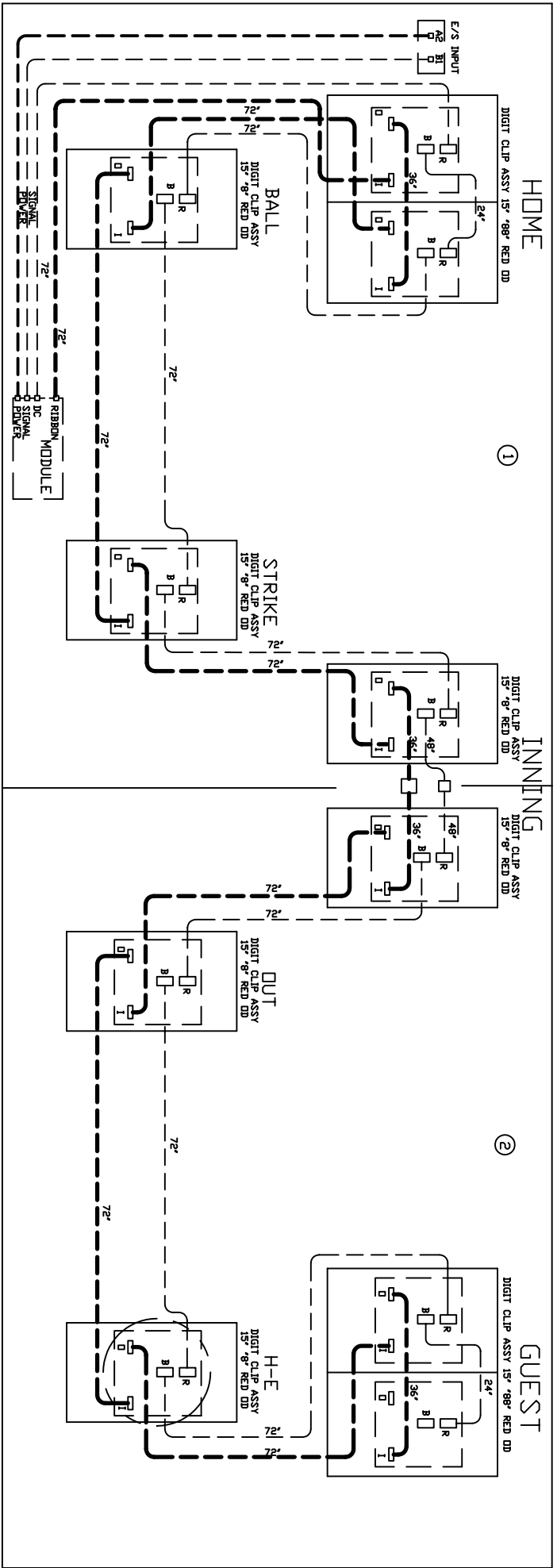
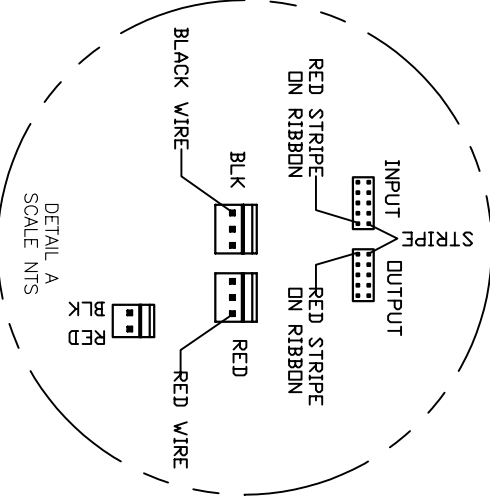


ECO #	DESCRIPTION	REVISIONS	DATE	REV
/	/		/	/



FRONT VIEW OF SCOREBOARD



NOTES:															
* - PANEL NUMBER															
- - - POWER CABLE															
- - - SIGNAL CABLE															
- - - DC CABLE															
- - - RIBBON CABLE															
<table border="1"> <tr> <th>No.</th> <th>QTY</th> <th>PART NUMBER</th> <th>DESCRIPTION</th> </tr> <tr> <td>2</td> <td>1</td> <td>1004448</td> <td>PANEL 3388-58 RIGHT 5X8</td> </tr> <tr> <td>1</td> <td>1</td> <td>1004446</td> <td>PANEL 3388-58 LEFT 5X8</td> </tr> </table>		No.	QTY	PART NUMBER	DESCRIPTION	2	1	1004448	PANEL 3388-58 RIGHT 5X8	1	1	1004446	PANEL 3388-58 LEFT 5X8		
No.	QTY	PART NUMBER	DESCRIPTION												
2	1	1004448	PANEL 3388-58 RIGHT 5X8												
1	1	1004446	PANEL 3388-58 LEFT 5X8												
TOLERANCES UNLESS OTHERWISE NOTED DECIMAL 2 PLCS. DECIMALS 3 PLUS FRACTIONAL ANGLES		SPORTABLE SCOREBOARDS® 106 MAX HURT DRIVE MURRAY, KY 42071 PHONE 270-759-1600 TOLL FREE 800-411-3136 FAX 270-759-0066													
MATERIAL: NTS		SCALE: 1-1													
FINISH: N/A		REVISION: -													
DESCRIPTION: WIRING DIAGRAM LED SCOREBOARD 3388-58		DATE: 06/03/10													
		DRAWN BY: ToddT													
		DRAWING NUMBER: 3388-58													