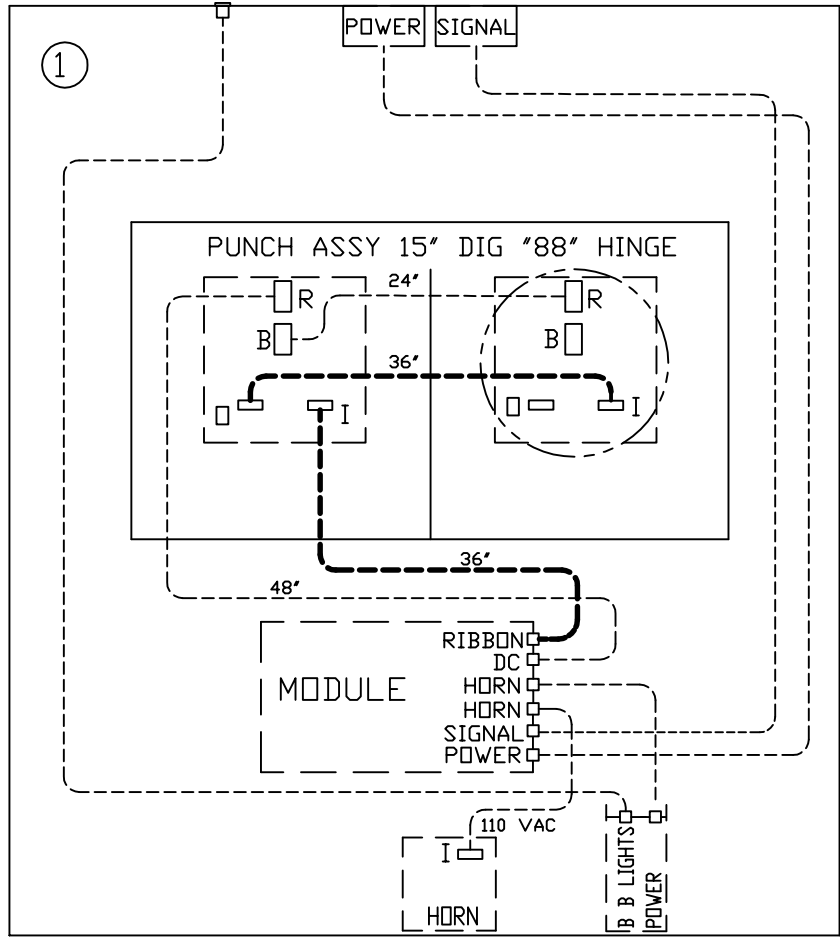
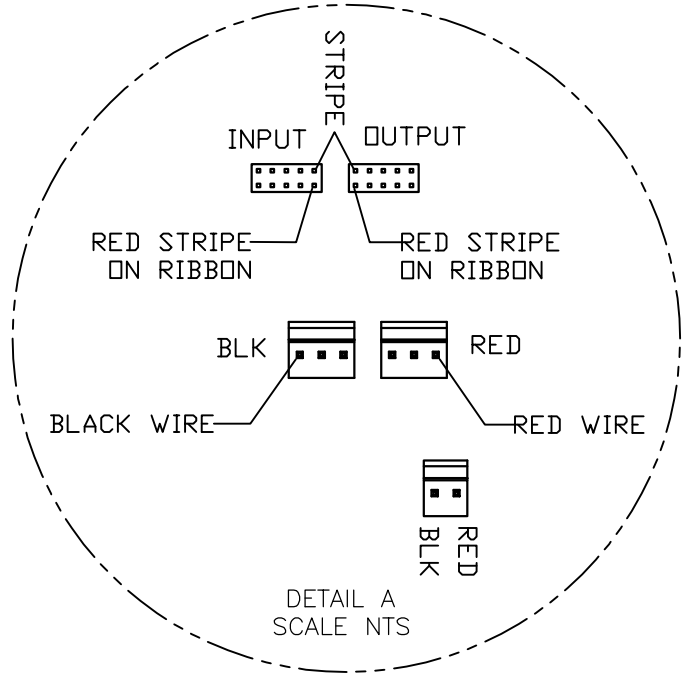


A B C D E F G H I J K L M N O P Q R S T U V

REVISIONS			
ECO #	DESCRIPTION	DATE	REV
/	/	/	/



FRONT VIEW OF SHOT CLOCK



DETAIL A  
SCALE NTS

NOTES:

- (\*) - PANEL NUMBER
- POWER CABLE
- SIGNAL CABLE
- DC CABLE
- RIBBON CABLE

No.	QTY	PART NUMBER	DESCRIPTION
-	-	-	-
<small>TOLERANCES UNLESS OTHERWISE NOTED</small> DECIMAL 2 PLCS.    DECIMALS 3 PLCS FRACTIONAL        ANGLES			<b>SPORTABLE SCOREBOARDS®</b> 106 MAX HURT DRIVE    MURRAY, KY 42071 PHONE 270-759-1600    TOLL FREE 800-411-3136    FAX 270-759-0066
MATERIAL: NA    FINISH: NA DESCRIPTION: WIRING DIAGRAM LED SHOT CLOCK 2213			