

VARSITY / **SCOREBOARDS**

MODEL 2240

Installation Manual

HOME	<input type="text"/> : <input type="text"/>	GUEST
<input type="text"/>	<input type="checkbox"/> POSS <input type="text"/>	<input type="text"/>
<input type="checkbox"/> <input type="checkbox"/> BONUS		BONUS <input type="checkbox"/> <input type="checkbox"/>
FOULS	PLAYER	FOULS
<input type="text"/>	<input type="text"/>	<input type="text"/>
WON	GAME	WON
<input type="text"/>		<input type="text"/>
T.O.L.		T.O.L.



MODEL 2240 INSTALLATION

WARRANTY

This product is warranted against defects in materials and workmanship for the period specified in the warranty from the date of invoice.

SERVICE

Technical Support is available 24 hours a day, 7 days a week.
install@varsityscoreboards.com
1-800-411-3136

<https://www.varsityscoreboards.com/support/contact-support.html>
(link to fill out support request on website)



A NOTE TO INSTALLERS

If you are installing this scoreboard for a client, please return the manual to the individual in charge of the scoreboard upon completion of installation.

SCOREBOARD DIMENSIONS

8' W x 7' H x 8" D

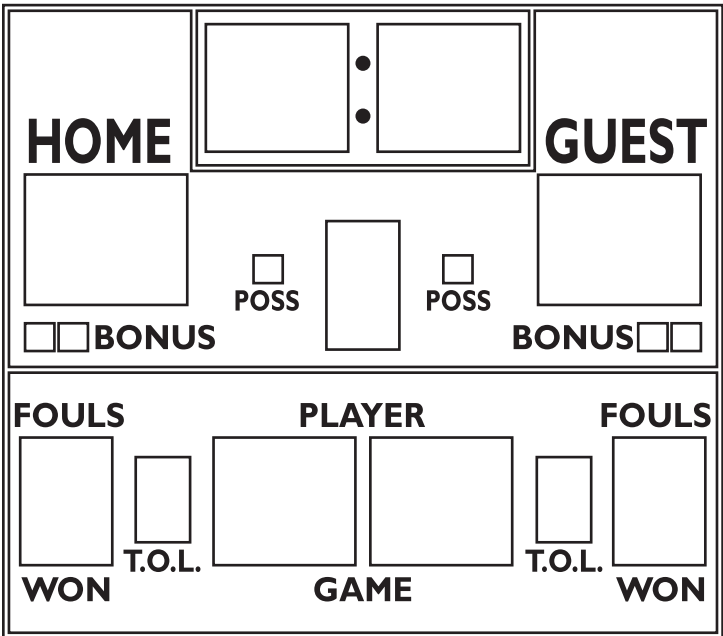




TABLE OF CONTENTS

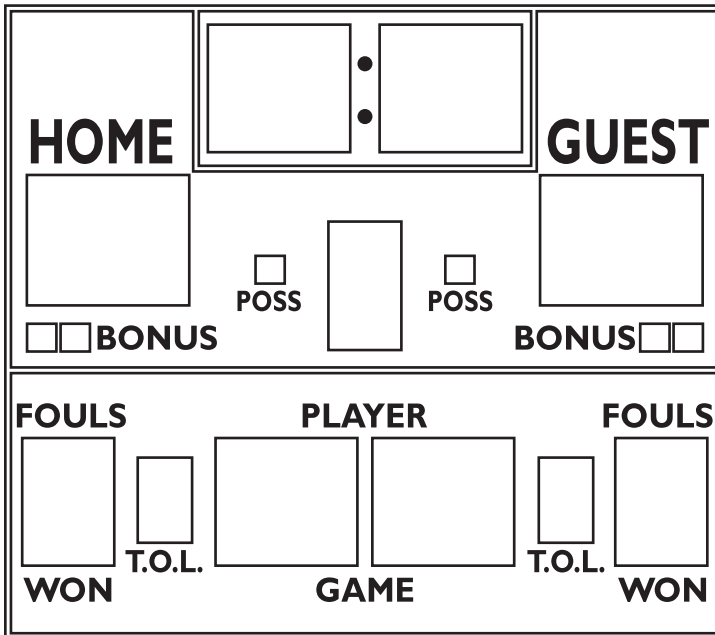
MODEL 2240 INSTALLATION.	5-6
INSTALLATION OVERVIEW	7
PRODUCT SPECIFICATIONS	8
JOINING THE TWO PANELS TOGETHER	9-10
MOUNTING THE SCOREBOARD ON A WALL.	11
HANGING THE SCOREBOARD FROM THE CEILING	12
RUNNING & CONNECTING THE ELECTRIC SERVICE.	13
INSTALLING SPONSOR PANELS	14-15
TESTING THE INSTALLED SYSTEM	16



MODEL 2240 INSTALLATION

Please inspect all shipping containers upon arrival for damage and ensure that you have all of the parts listed below:

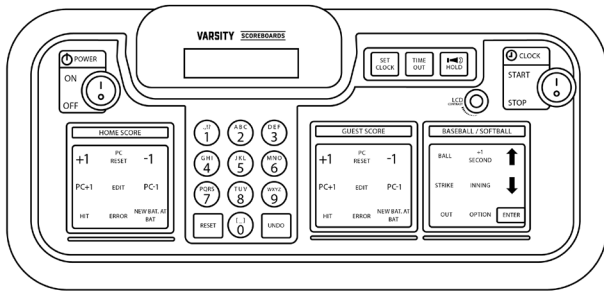
ITEMS IN LARGE PACKAGE(S)



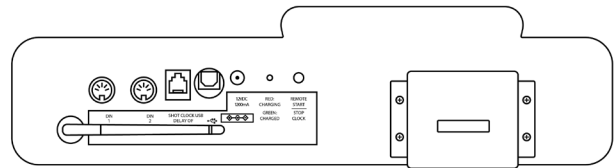
(1) 8' x 7' Football Scoreboard

Shipped in one (1) 8' x 4' package and one (1) 8' x 3' section

ITEMS IN ACCESSORY BAG



(1) LCD Wireless Keyboard Controller



(1) 12-volt adapter

(1) Sport Inserts

INSTRUCTIONS FOR REPORTING SHIPPING DAMAGE

1 /

Note “DAMAGED” on the Delivery Receipt Form, including details of the type of damage to the freight and packaging.

2 /

Ask the delivery driver to call the local terminal and report immediately.

3 /

Contact Varsity Scoreboards immediately while the delivery driver is still present to report the damage.

- A. Phone number
- B. Email

Shipping damage **must** be noted at the time of delivery. The shipper is **not responsible** for shipments that aren’t sighted for as damaged upon arrival. The shipper is responsible for filing a claim, unless shipped 3rd party.



INSTALLATION OVERVIEW

This manual will walk you through the installation of the scoreboard. While care has been taken to consider the many scenarios for installation, some general information applies to all. Follow this guide as closely as possible to ensure proper installation.

1 /

Review the product specifications below to determine your specific installation hardware.

2 /

Determine the scoreboard's location and orientation.

3 /

Mount the scoreboard on a wall or suspend the scoreboard from a structure (such as the ceiling).

5 /

Install any options, such as sponsor panels or protective nets, according to the installation instructions included with each option package.

6 /

Test the installed system.



PRODUCT SPECIFICATIONS

OVERALL DIMENSIONS

8' W x 7' H x 8" D - shipped in two (2) sections

WEIGHT

Hanging weight = approximately 240 lbs

Shipping weight = approximately 275 lbs

CONSTRUCTION

22-gauge galvanized steel cabinet with powder coat finish for strength, durability, and lasting appearance

INSTALLATION RECOMMENDATIONS

We recommend this model to be installed by mounting to a wall or suspending the scoreboard from the ceiling.

Installation hardware not supplied. Check local code requirements. Anchors, bolts, chains, cables and related hardware must meet minimum weight requirements.

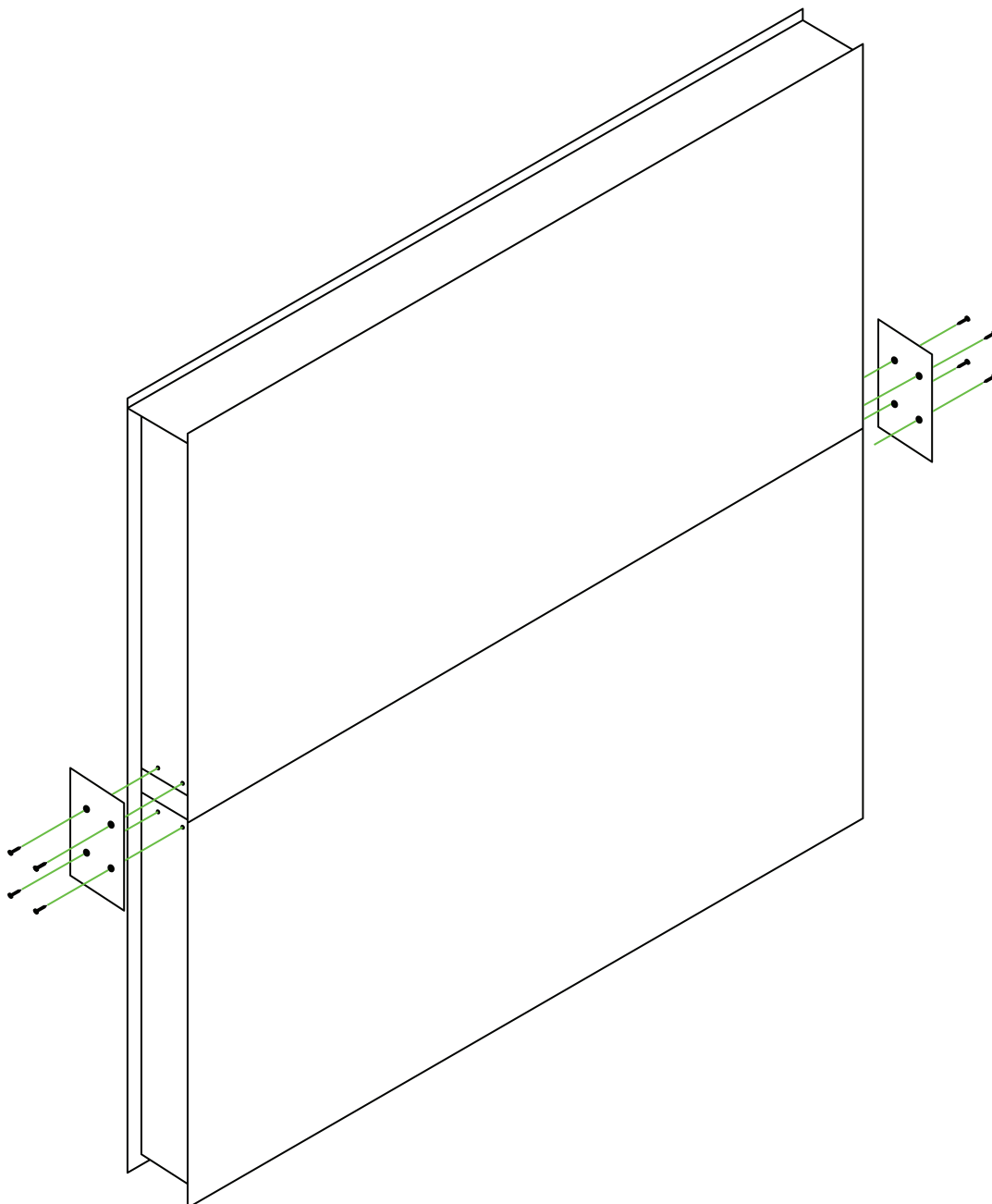


JOINING THE TWO PANELS TOGETHER

Carefully remove the scoreboard from its packaging, making sure not to pry against or cut into the cabinet. Inspect each unit for shipping damage according to the instructions on page 6.

1 /

Lay both sections down, face up, with the cabinets aligned. Connect the sections with the supplied plates, one on the left, and one on the right as pictured.

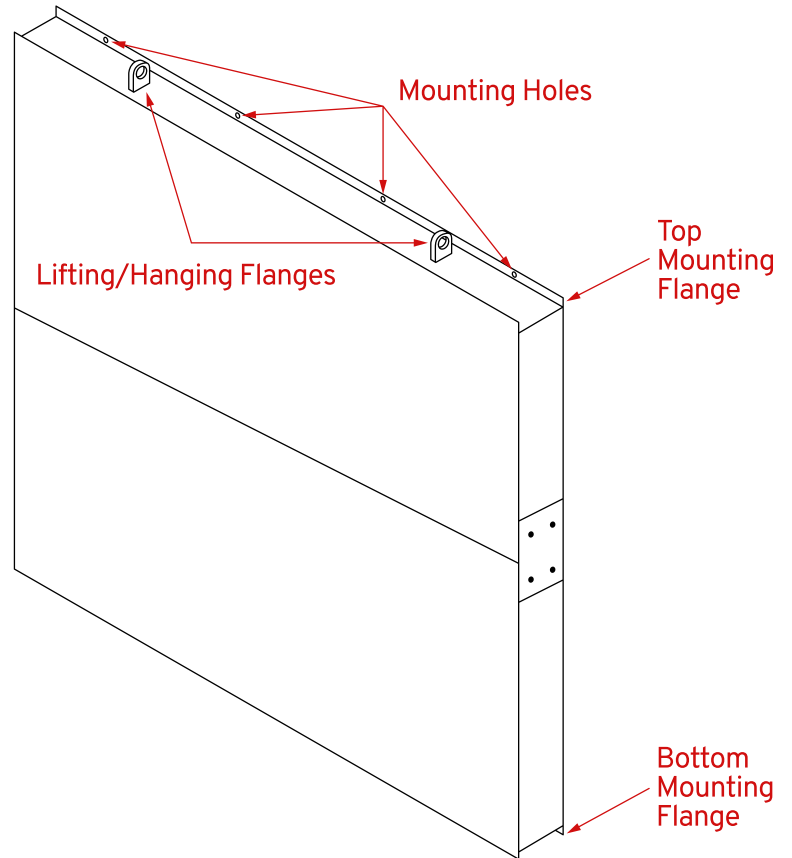




JOINING THE TWO PANELS TOGETHER

2 /

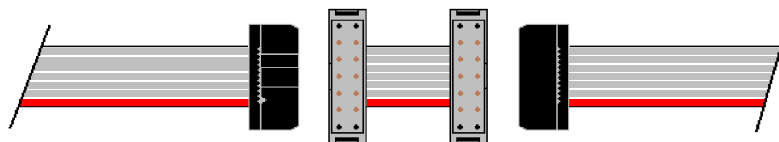
Connect a lifting device to the 2 outside hanging brackets on the top of the scoreboard and lift enough to acquire access to the back of the panels. Cardboard or foam packaging can be used as a pad between the lift and the scoreboard to protect the scoreboard base.



3 /

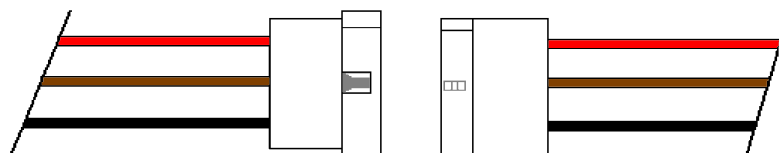
Open both access doors on the back and connect the wiring. Make sure you note the wiring of the connectors as they can be connected backwards. The flat ribbon cable will have a purple line on one side- be sure this matches. The power harness will only connect one way.

Crossover Ribbon



10 Pin Header

Power Harness





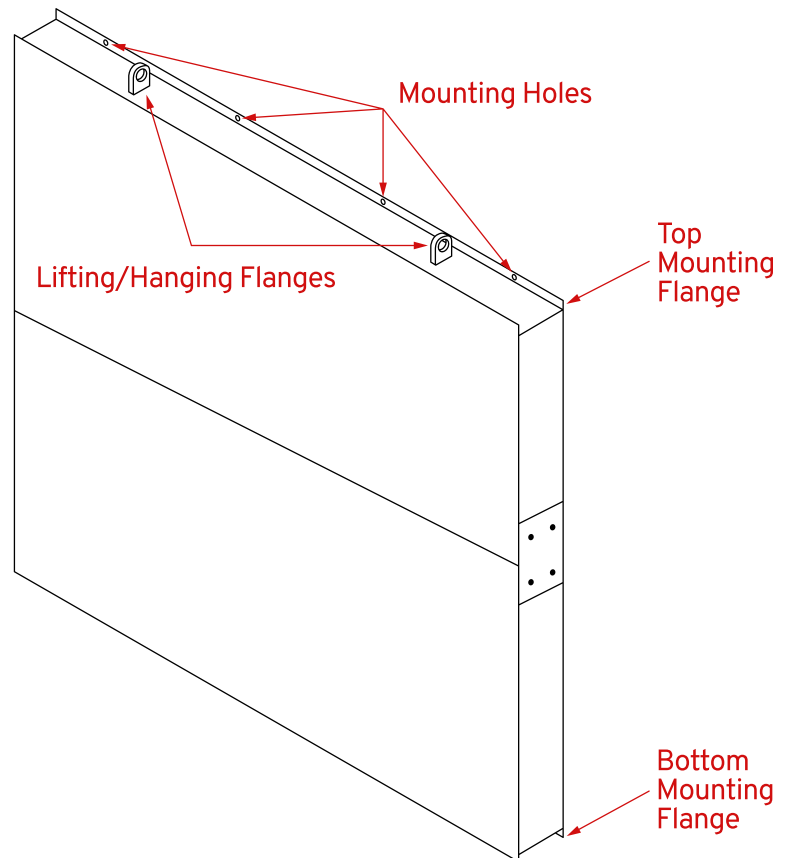
MOUNTING THE SCOREBOARD ON A WALL

Carefully remove the scoreboard from its packaging, making sure not to pry against or cut into the cabinet. Inspect each unit for shipping damage according to the instructions on page 6.

2 /

Connect a lifting device to the 2 outside hanging brackets on the top of the scoreboard and lift the scoreboard into place. Refer to the illustration to see the location of the lifting/hanging flanges.

NOTE: Use hardware appropriate for the wall type you are mounting to and capable of supporting the weight of the scoreboard. No mounting brackets are necessary as the pre-drilled mounting flanges on the top and bottom of the scoreboard are provided to mount the scoreboard directly to the wall. The scoreboard must be attached to the wall securely through all four (4) mounting holes in the top and bottom mounting flanges (See the figure for location of mounting holes and mounting flanges).



3 /

Lift the scoreboard to the desired location and mark the holes in the top and bottom flanges. It may be necessary to mark the top flange, install anchors, and secure the top of the scoreboard before having access to the bottom flange. Ensure that you use all four mounting holes in the top and bottom flanges.



MOUNTING THE SCOREBOARD ON A WALL

Carefully remove the scoreboard from its packaging, making sure not to pry against or cut into the cabinet. Inspect each unit for shipping damage according to the instructions on page 6.

2 /

If eye bolts, cables or chains are to be used to suspend the scoreboard, ensure that they are capable of supporting the weight of the scoreboard. Choose one of the following methods to get the scoreboard into place:

Connect the cables or chains you will use to suspend the scoreboard to the hanging brackets on top of the scoreboard cabinet using “C” clips or clevises. Connect the strap, cable or chain you will use to lift the scoreboard to the two outside mounting holes in the top rear flange.

OR

Connect the cables or chains you will use to suspend the scoreboard to the hanging brackets on top of the scoreboard cabinet using “C” clips or clevises. Connect the strap, cable or chain you will use to lift the scoreboard to the same “C” clips or clevises.

3 /

If the scoreboard will be against the lift during lifting, place cardboard or foam between the lift and scoreboard to protect the face of the scoreboard. Lift the scoreboard into place. Check clearance during lift. Connect the suspension system and lower the scoreboard until its weight is on the suspension system and disconnect the lifting cables from the scoreboard.

4 /

Place a level in the top channel of the scoreboard cabinet to see if adjustments need to be made.

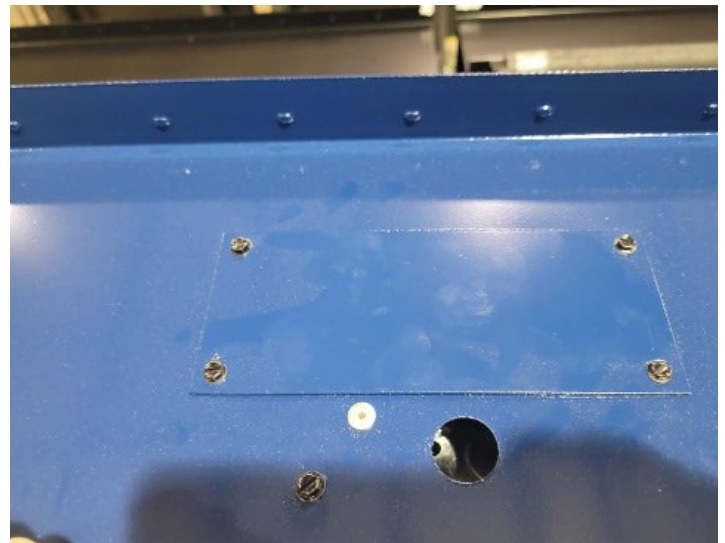
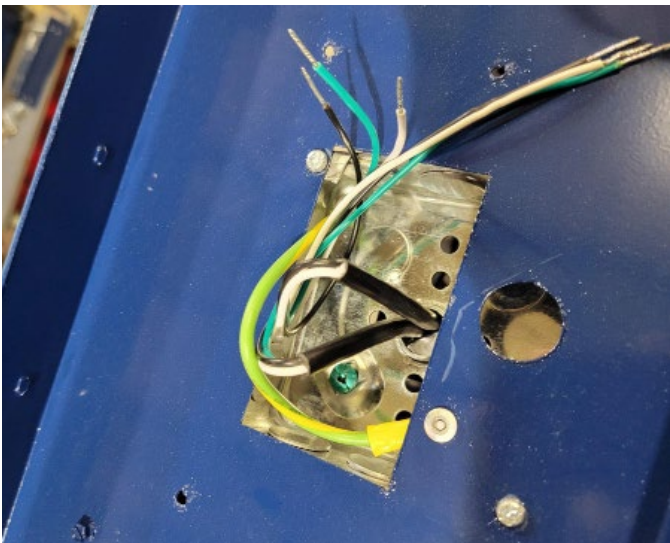
NOTE: It is recommended that the cables that will be used to permanently suspend the scoreboard be attached to the ceiling structure first, then to the scoreboard’s hanging brackets after it is lifted into position using a lifting device.



RUNNING & CONNECTING THE ELECTRIC SERVICE

NOTE:

THIS PORTION OF THE INSTALLATION REQUIRES A LICENSED ELECTRICIAN. IDEALLY, THE SCOREBOARD WILL BE POWERED FROM A DEDICATED 120V/20A CIRCUIT. ADDITIONALLY, SINCE THE SCOREBOARD'S POWER SHOULD BE TURNED OFF AFTER EACH USE, THERE SHOULD BE EASY ACCESS TO THE POWER SWITCH OR CIRCUIT BREAKER. IF ACCESS TO THE CIRCUIT BREAKER IS NOT AN OPTION, INSTALL A SWITCH SOMEWHERE THAT IS ACCESSIBLE, EVEN IF UNDER THE SCOREBOARD AT AN ABOVE AVERAGE HEIGHT.



1/

Open the power/signal access door on the top of the scoreboard. Locate the power input wires.

2/

The connections are standard black, white and green (ground). Included is a utility ground which must be used. Make up the power supply connections and replace the utility box cover.

3/

Close and secure the power/signal access door.

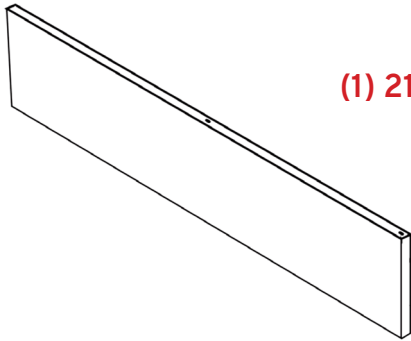
NOTE: The location of the disconnect switch after installation shall comply with Article 600 of the National Electric Code.



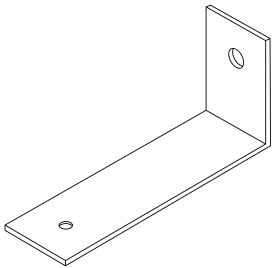
INSTALLING SPONSOR PANELS

NOTE:

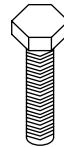
DETERMINE NUMBER OF SPONSOR PANELS BEING INSTALLED AND THEIR LOCATION.



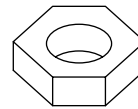
(1) 21" x 8' Panel



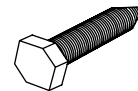
(3) Mounting Brackets



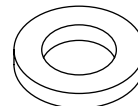
(3) 3/8-16 x 3/4" Bolts



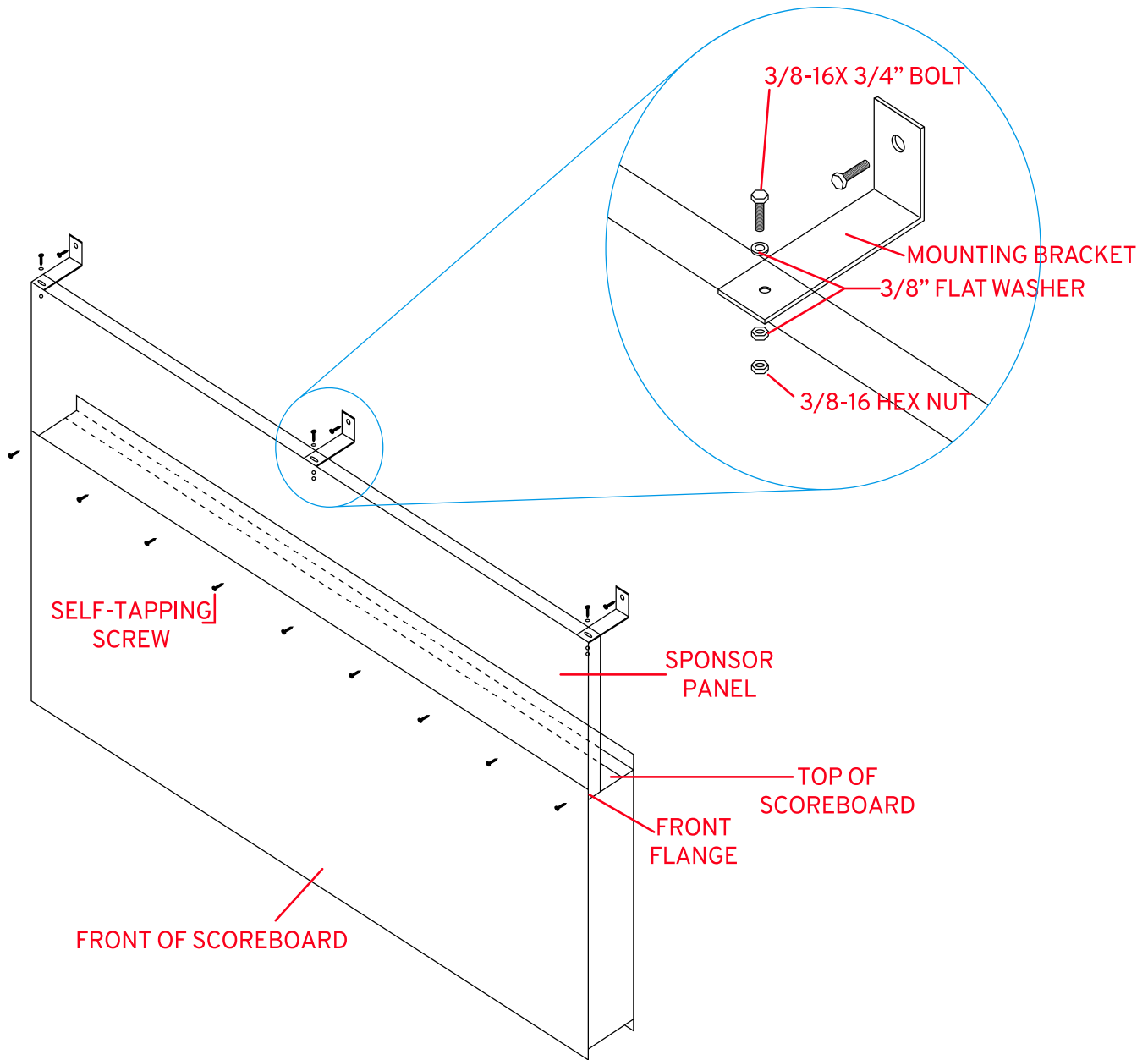
(3) 3/8-16 Hex Nuts



(9) #8 x 1/2" Tek Screws



(6) 3/8" Flat Washers

**1 /**

Before the sponsor panel is lifted into place, attach the mounting brackets to the panel using the supplied hardware. The brackets fit inside the panel (illustrated above). The top (for top-mounted installations) or the bottom (for bottom-mounted installations) of each panel is pre-drilled for the brackets.

2 /

Lift the sponsor panel into place with the panel resting on top of the scoreboard for top-mounted installations or against the bottom of the scoreboard for bottom-mounted installations. The face of the panel should be flat against the scoreboard's front flange (illustrated above).

3 /

Secure the mounting brackets to the wall, using mounting hardware appropriate to the surface (illustrated above). All mounting hardware required for securing the panel to the wall is the responsibility of the installer.

4 /

Install self tap screws through the scoreboard's front flange and into the sponsor panel face, spaced evenly.

NOTE: To avoid damaging border striping, please drill approximately 1 inch from the edge of the scoreboard's flange.



TESTING THE INSTALLED SYSTEM

Please refer to the OPERATORS MANUAL for startup instructions.

AFTER INSTALLATION IS COMPLETE, HAVE THE INSTALLER TEST THE SCOREBOARD BY FOLLOWING THE STEPS BELOW:

1 /

While holding down the OPTIONS button, turn the wireless controller on

2 /

The screen will display “Select Diag Mode.” Press the down arrow once to scroll to “Digit Test.” Press ENTER.

3 /

The screen will display “Segment Test” and “Segments Off”. Press the down arrow once to display “Segments On”. When all segments are on, all digits should display “8”

4 /

Press the down arrow again to display “Digits Count”. All digits should continuously count from 0-9

5 /

If all digits turn on and count, the installer can then turn off the wireless controller.

Congratulations!

You’ve successfully installed your Varsity Scoreboard!

If any problems arise, please have the installer call Varsity Scoreboards Customer Service at 800-411-3136 while the installer is still present at the scoreboard.

VARSDTY / 
SCOREBOARDS /