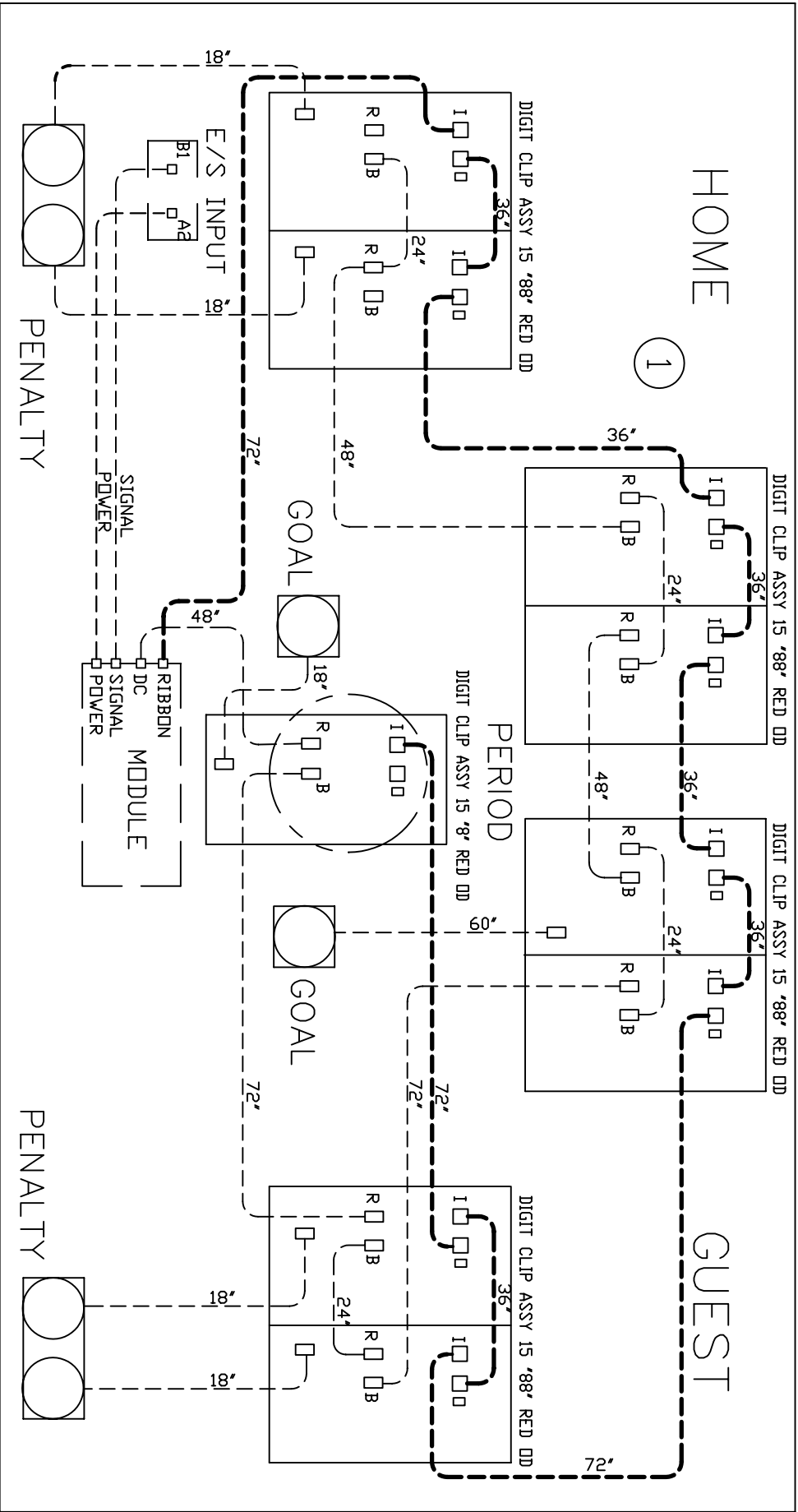


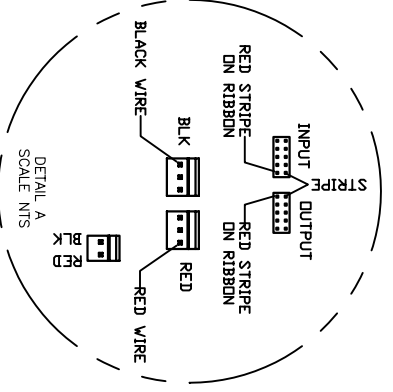
ECO #	DESCRIPTION	REVISIONS	DATE	REV
/	/		/	/



FRONT VIEW OF SCOREBOARD

NOTES:

- ⊛ - PANEL NUMBER
- POWER CABLE
- SIGNAL CABLE
- DC CABLE
- RIBBON CABLE



No.	QTY	PART NUMBER	DESCRIPTION
1	1	1004501	PANEL 1232LED02
TOLERANCES UNLESS OTHERWISE NOTED DECIMAL 2 PLCS.    DECIMALS 3 PLCS FRACTIONAL    ANGLES			<b>SPORTABLE</b> <b>SCOREBOARDS®</b> 106 MAX HURT DRIVE MURRAY, KY 42071 PHONE 270-759-1600    TOLL FREE 800-411-3136    FAX 270-759-0066
MATERIAL: N/A			SCALE: NTS    PAGE: 1-1
FINISH: N/A			REVISION
DESCRIPTION: WIRING DIAGRAM LED SCOREBOARD 1232LED02			DATE 10-01-03
			DRAWN BY: SANDRAT
			DRAWING NUMBER: 1232LED02