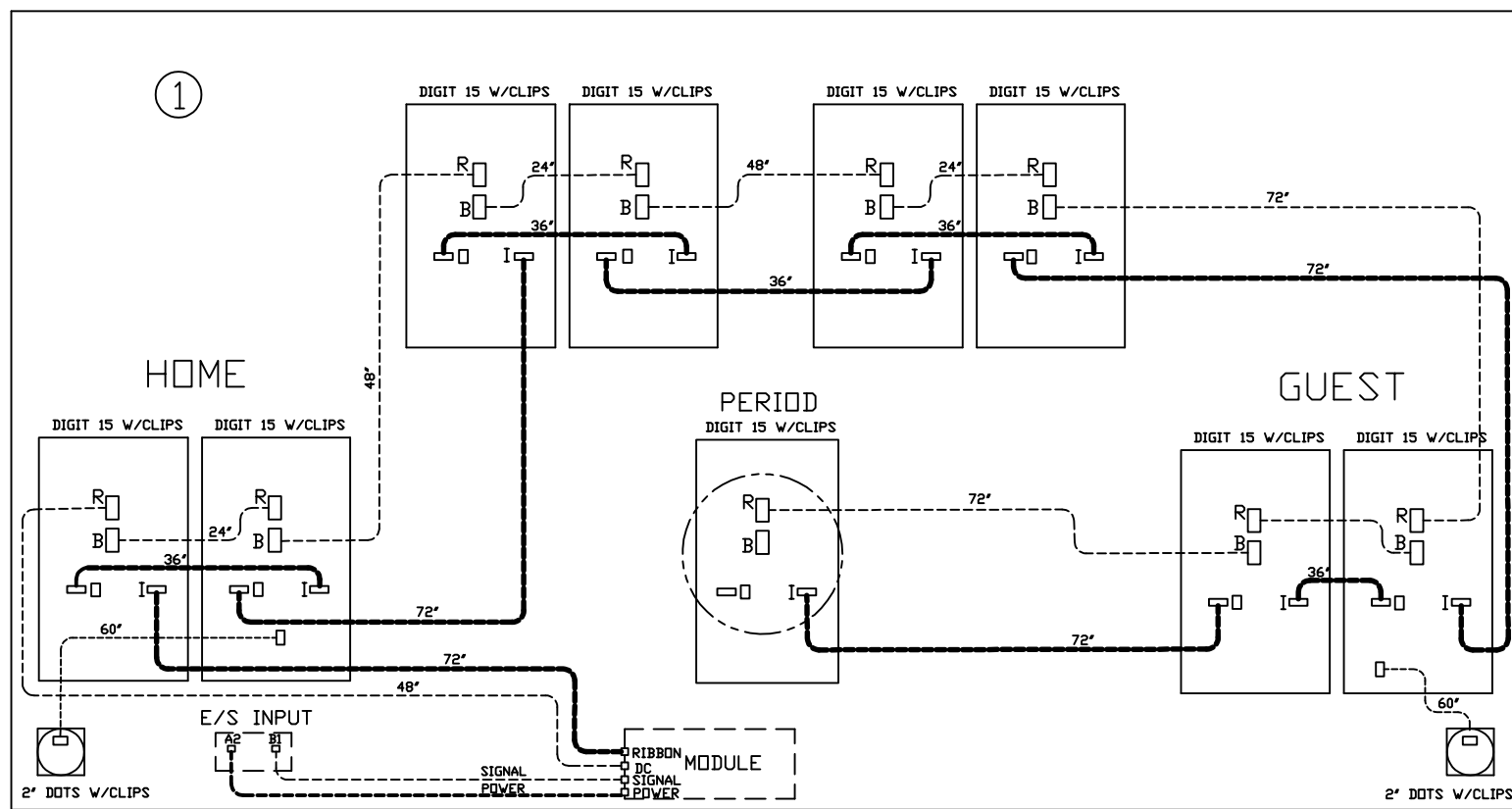
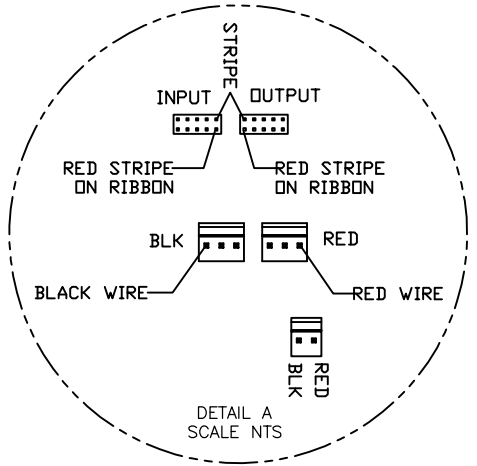


ECO #		DESCRIPTION		DATE	REV
-		-		-	-



FRONT VIEW OF SCOREBOARD



NOTES:

- (\*) - PANEL NUMBER
- POWER CABLE
- SIGNAL CABLE
- DC CABLE
- RIBBON CABLE

1	1	1003765	PANEL 3430LED03 2' DOTS
ITEM	QTY	PART NUMBER	DESCRIPTION
TOLERANCES UNLESS OTHERWISE NOTED DECIMAL 2 PLCS.    DECIMALS 3 PLCS FRACTIONAL            ANGLES			<b>SPORTABLE SCOREBOARDS®</b> 106 MAX HURT DRIVE    MURRAY, KY 42071 PHONE 270-759-1600    TOLL FREE 800-411-3136    FAX 270-759-0066
MATERIAL: NA		FINISH: NA	
DESCRIPTION: WIRING DIAGRAM LED SCOREBOARD 3430LED03			DATE: 05/22/07 DRAWN BY: TODDT DRAWING NUMBER: 3430LED03