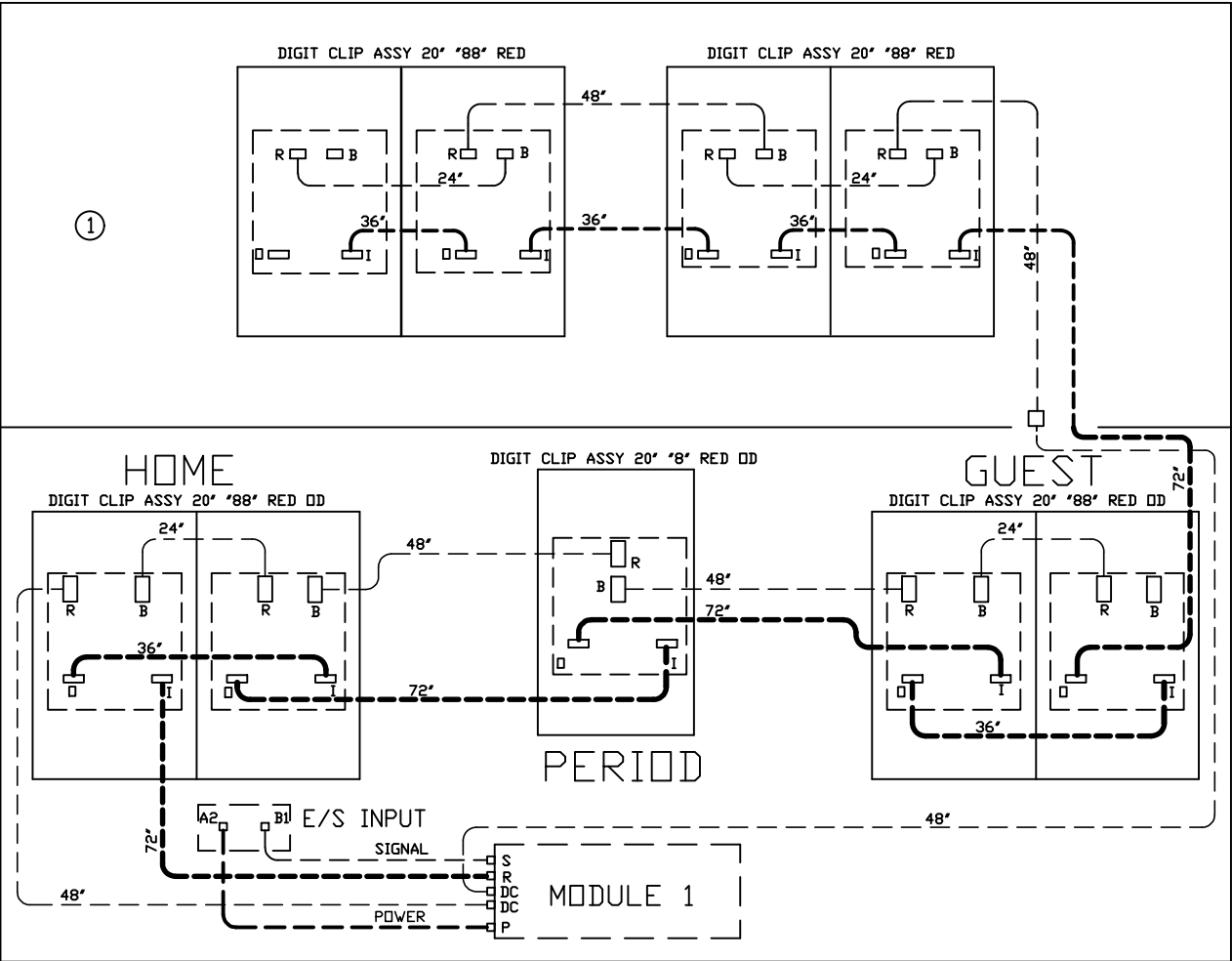


REVISIONS			
ECO #	DESCRIPTION	DATE	REV
/	/	/	/



FRONT VIEW OF SCOREBOARD

- NOTES:**
- ⊛ - EQUIPMENT NUMBER
 - ⊠ - CABLE NUMBER
 - - POWER CABLE
 - - SIGNAL CABLE
 - - DC CABLE
 - - RIBBON CABLE

No.	QTY	PART NUMBER	DESCRIPTION
1	1	1004571	PANEL 3450LED02
<p>TOLERANCES UNLESS OTHERWISE NOTED</p> <p>DECIMAL 2 PLCS. DECIMALS 3 PLCS</p> <p>FRACTIONAL ANGLES</p>			<p>SPORTABLE SCOREBOARDS®</p> <p>106 MAX HURT DRIVE MURRAY, KY 42071</p> <p>PHONE 270-759-1600 TOLL FREE 800-411-3136 FAX 270-759-0066</p>
MATERIAL: NA		FINISH: NA	
DESCRIPTION: WIRING DIAGRAM LED SCOREBOARD 3450LED02		DATE: 12/19/03	
		DRAWN BY: SANDRAT	
		DRAWING NUMBER: 3450LED02	