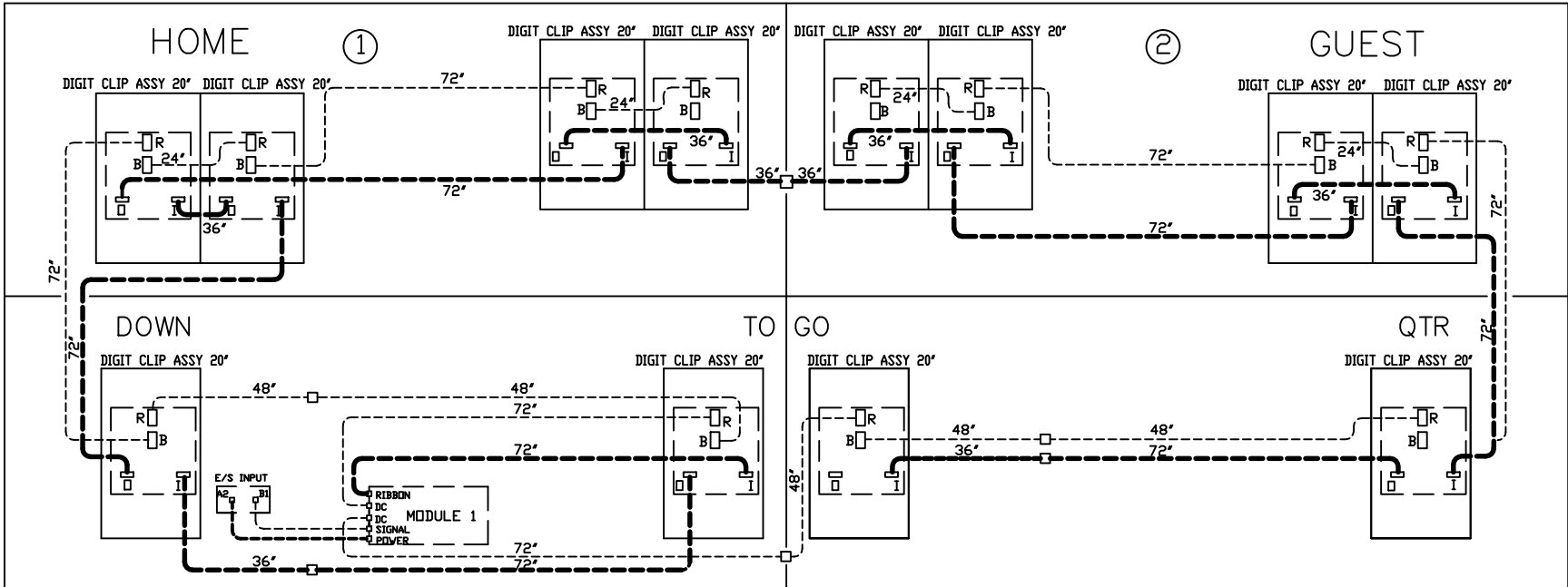


	A	B	C	D	E	F	G	H	I	J	K	L	M	N	O	P	Q	R	S	T	U	V
	REVISIONS																					
	ECO #	DESCRIPTION																	DATE	REV		
	-																		-	-		



FRONT VIEW OF SCOREBOARD

NOTES:

- ⊙ - PANEL NUMBER
- - POWER CABLE
- - SIGNAL CABLE
- - DC CABLE
- - RIBBON CABLE

2	1	1004576	PANEL 7416LED02 RIGHT
1	1	1004575	PANEL 7416LED02 LEFT
No.	QTY	PART NUMBER	DESCRIPTION
<small>TOLERANCES UNLESS OTHERWISE NOTED</small> <small>DECIMAL 2 PLCS. DECIMALS 3 PLCS</small> <small>FRACTIONAL ANGLES</small>			
106 MAX HURT DRIVE MURRAY, KY 42071 PHONE 270-759-1600 TOLL FREE 800-411-3136 FAX 270-759-0066			
MATERIAL:		SCALE: NTS	PAGE: 1-1
FINISH:		REVISION	DATE
DESCRIPTION:		DRAWN BY: LYNNC	06/13/03
WIRING DIAGRAM LED SCOREBOARD 7416		DRAWING NUMBER: 7416LED02	