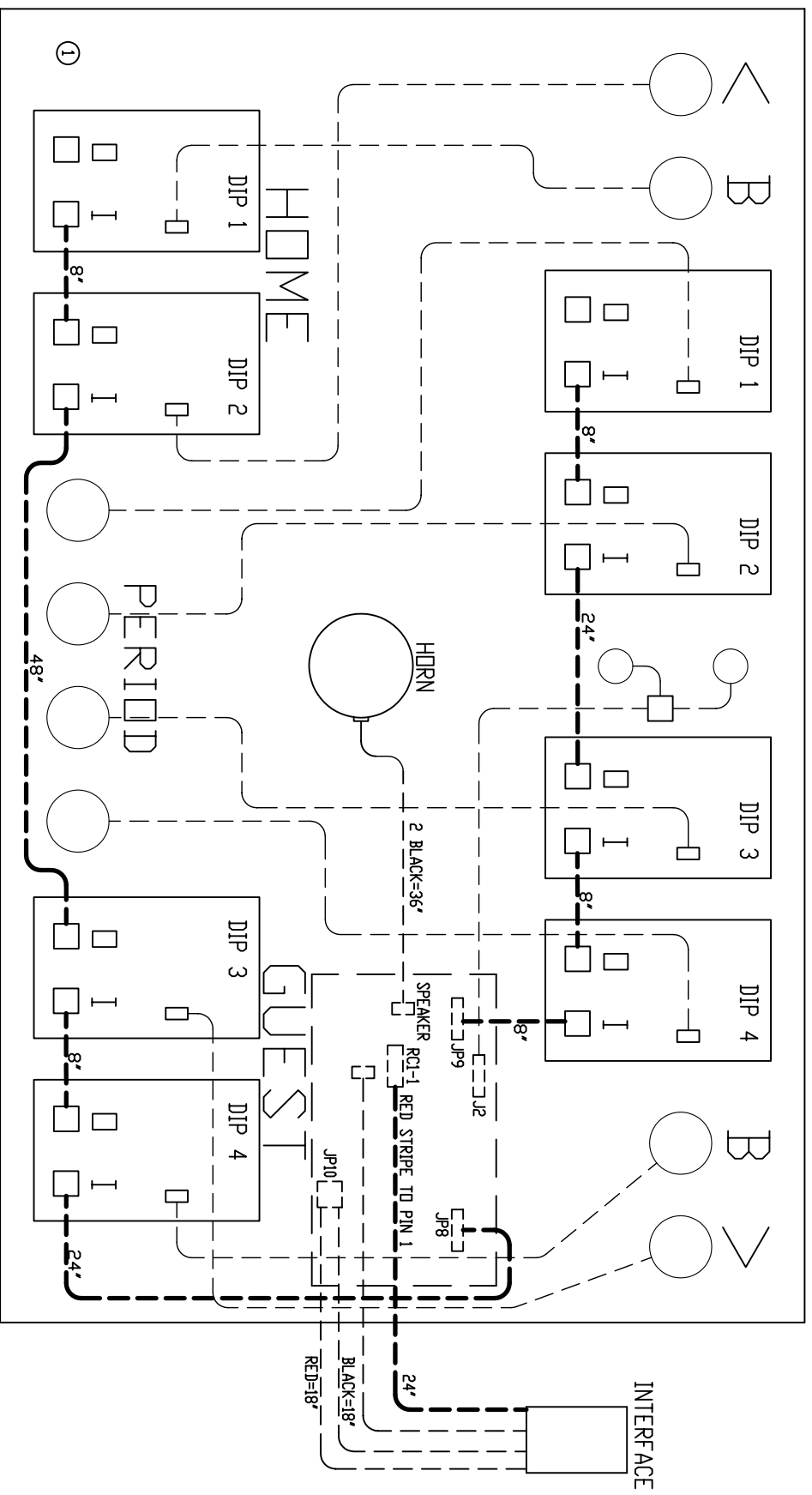


REV	DESCRIPTION	DATE	REV
A	SWITCHED BONUS & POSSESSION ARROW WIRING, ECR 266	03/23/06	TDDDT



FRONT VIEW OF SCOREBOARD

NOTES:  
 \* -- EQUIPMENT NUMBER

No.	QTY	PART NUMBER	DESCRIPTION
1	1	1001944	PANEL 2207LED02

TOLERANCES  
 UNLESS OTHERWISE NOTED  
 DECIMAL 2 PLCS.    DECIMALS 3 PLCS  
 FRACTIONAL    ANGLES  
 MATERIAL:    SCALE:    NTS    PAGE:    1/1  
 FINISH:    N/A  
 DESCRIPTION:    NA  
 WIRING DIAGRAM LED SCOREBOARD 2207LED02

**SPORTABLE**  
**SCOREBOARDS®**  
 106 MAX HURT DRIVE    MURRAY, KY 42071  
 PHONE 270-759-1600    TOLL FREE 800-411-3136    FAX 270-759-0066

REVISION	A
DATE	06/24/04
DRAWN BY:	JOHNC
DRAWING NUMBER:	2207LED02