



# OPERATION MANUAL

**PSC1**

# A NOTE ABOUT THIS MANUAL /

This manual is comprehensive for all  
Varsity Scoreboards models sold with a PSC1.



**FAQs**

*Use your phone camera  
to activate QR code.*

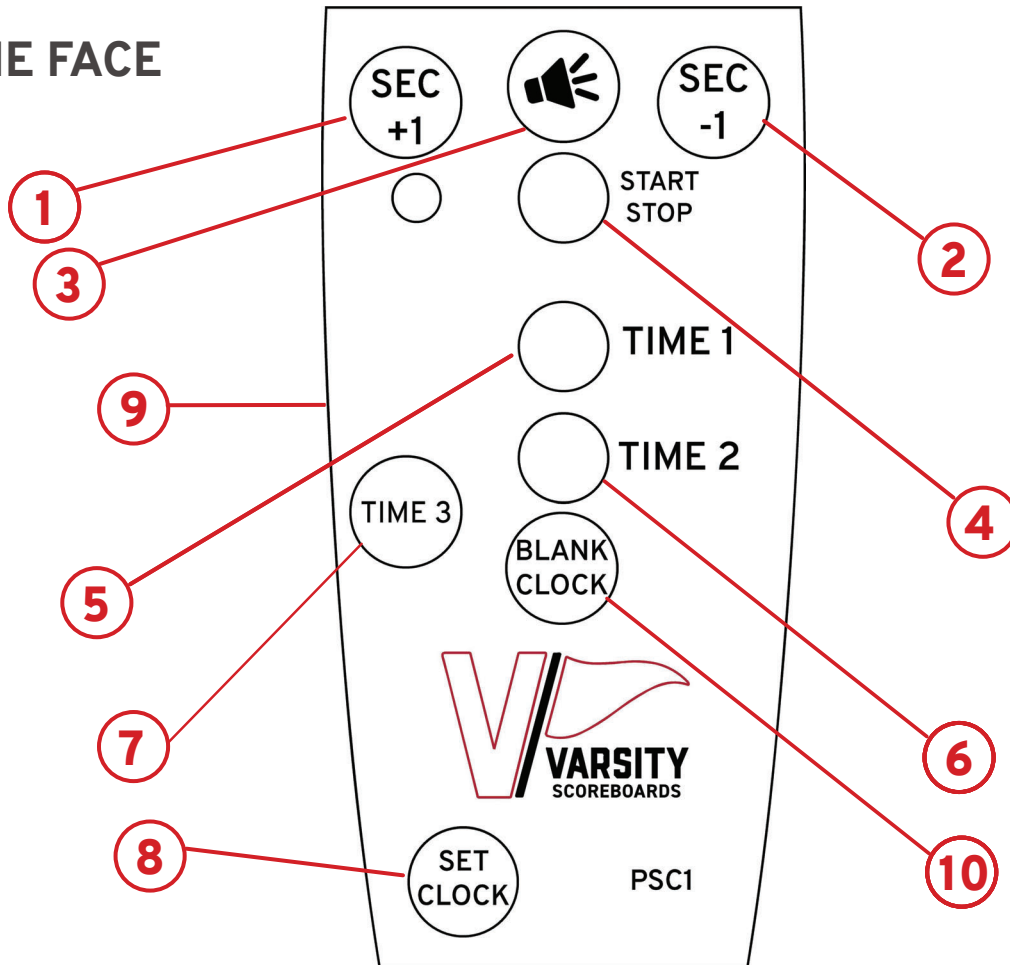
# TABLE OF CONTENTS /

THE PSC1 CONTROLLER . . . . .	4-5
OPERATION.....	6



## THE PSC1 CONTROLLER

### THE FACE



#### 1 / SEC+1

Adds one second to the clock.

#### 2 / SEC-1

Subtracts one second from the clock.

#### 3 / Horn Icon (if applicable)

Blows horn.

\*Delay-of-game clocks and pitch clocks don't have a horn

#### 4 / START STOP

Start and stops the clock.

#### 5 / TIME 1

Resets to time 1 default.

#### 6 / TIME 2

Resets to time 2 default.

#### 7 / TIME 3

Resets to time 3 default.

#### 8 / SET CLOCK (TIME 1, 2 OR 3)

Press the appropriate time to set (time 1, 2 or 3). Press and hold SET CLOCK to activate set clock mode. Press SEC+1 to add time or SEC-1 to subtract time to set your designated time. Press SET CLOCK again to save the clock time.

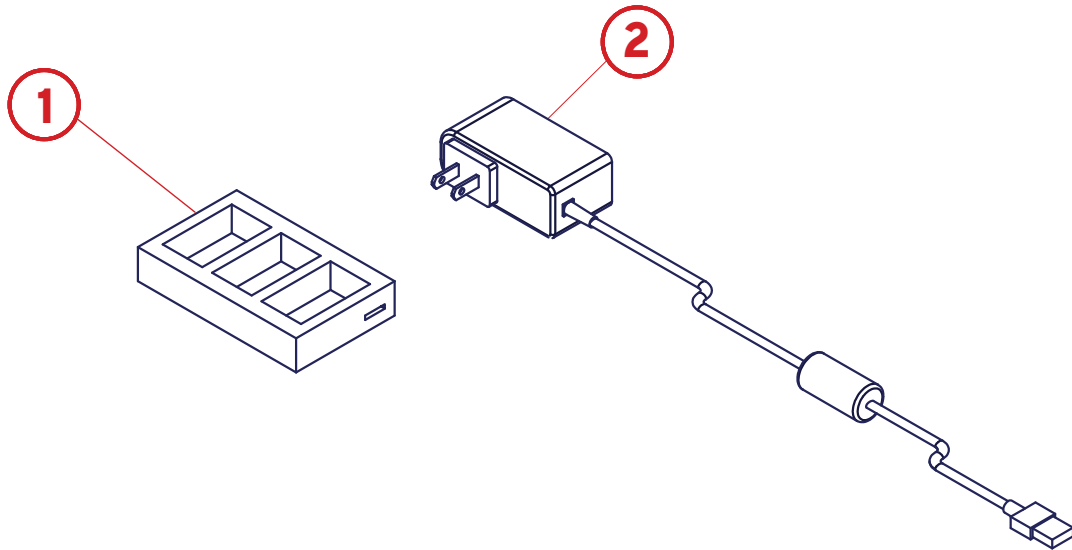
#### 9 / ON OFF SWITCH

Turns the controller on and off.

#### 10 / BLANK CLOCK

Clears clock.

## ACCESSORIES



### 1 / BATTERY CHARGER

Charges the extra batteries. Always keep extra batteries charging.

### 2 / USB CHARGER

For AC Adapter. Plug into standard 120V power source.

### Charging the Controller

The PSC1 controller is powered by an internal rechargeable 9v battery. To charge the internal rechargeable 9v battery, turn the PSC1 controller OFF, remove the battery and place it on the provided battery charger. **ALWAYS** keep the extra batteries charged.



## OPERATION

Turn the controller to the on position.

Your controller will have preprogrammed times depending on the model you purchased.

For basketball shot clocks, the default times will be:

- Time 1: 35 seconds
- Time 2: 20 seconds

For lacrosse shot clocks, the default times will be:

- Time 1: 80 seconds
- Time 2: 60 seconds

For delay-of-game clocks, the defaults times will be:

- 40 seconds
- 25 seconds

For pitch clocks, the defaults times will be:

- 30 seconds
- 20 seconds
- 15 seconds

### **Changing the preprogrammed times**

To change the preprogrammed times, press the appropriate time to set (time 1, 2 or 3). Press and hold the "SET CLOCK" button to activate set clock mode.

Press SEC+1 to add time or SEC-1 to subtract time to set your designated time.

Press "SET CLOCK" again to save the clock time.

**Congratulations!**

**You've successfully set up your  
Varsity Scoreboard!**

**VARSIITY** /   
**SCOREBOARDS** /