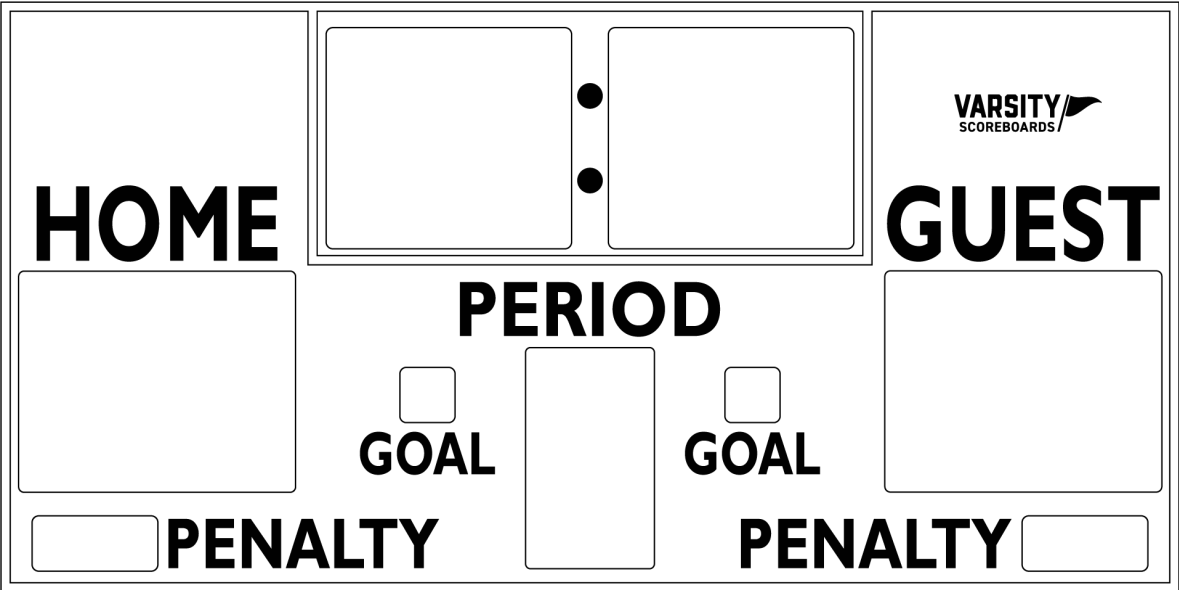




MODEL 1230

Installation Manual





MODEL 1230 INSTALLATION

WARRANTY

This product is warranted against defects in materials and workmanship for the period specified in the warranty from the date of invoice.

SERVICE

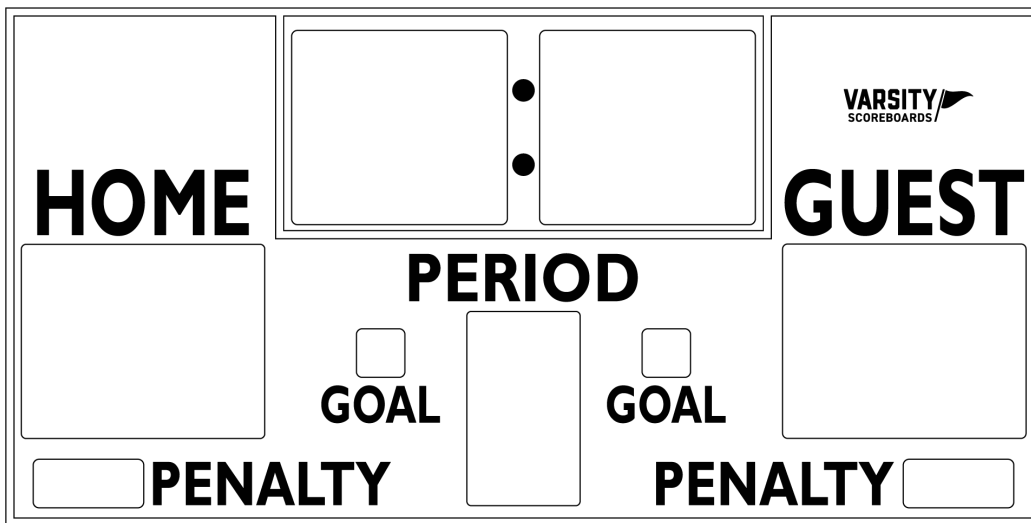
Technical Support is available 24 hours a day, 7 days a week.
1-800-411-3136

<https://www.varsityscoreboards.com/support/contact-support.html>
(link to fill out support request on website)



A NOTE TO INSTALLERS

If you are installing this scoreboard for a client, please return the manual to the individual in charge of the scoreboard upon completion of installation.



SCOREBOARD DIMENSION

8' wide x 4' tall x 8" depth



TABLE OF CONTENTS

MODEL 1230 INSTALLATION 5-6

INSTALLATION OVERVIEW 7

PRODUCT SPECIFICATIONS 8

MOUNTING THE SCOREBOARD TO A WALL 9

SUSPENDING THE SCOREBOARD FROM THE CEILING 10

CONNECTING AND RUNNING ELECTRIC 11

INSTALLING SPONSOR PANELS 12-13

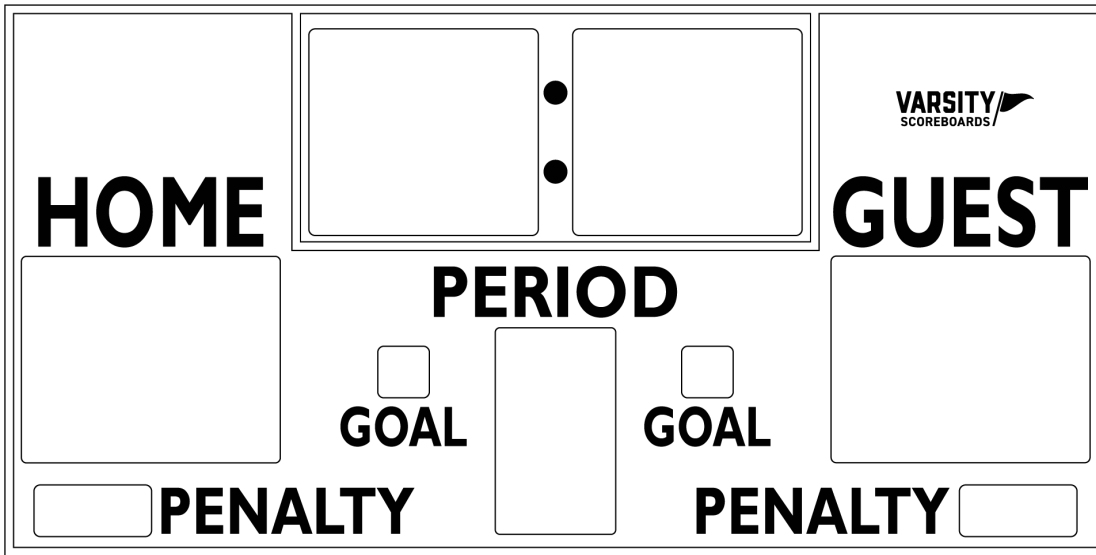
TESTING THE INSTALLED SYSTEM 14



MODEL 1230 INSTALLATION

Please inspect all shipping containers upon arrival for damage and ensure that you have all of the parts listed below:

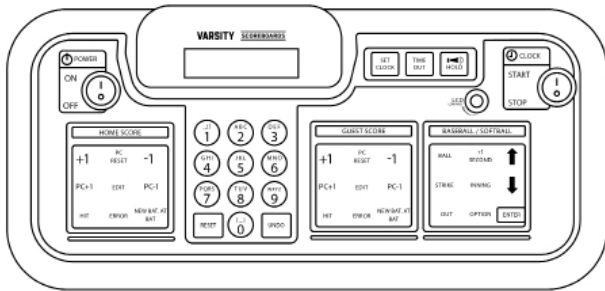
**ITEMS IN
LARGE PACKAGE(S)**



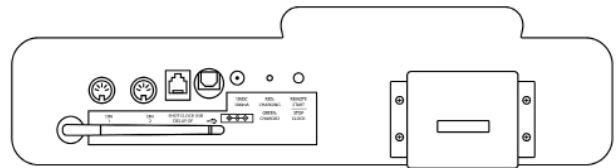
(1) 8' x 4' Hockey Scoreboard

Shipped in one (1) section

ITEMS IN ACCESSORY BAG



(1) LCD Wireless
Keyboard Controller



(1) 12-volt adaptor

(1) Sport Inserts

INSTRUCTIONS FOR REPORTING SHIPPING DAMAGE

1 /

Note "DAMAGED" on the Delivery Receipt Form, including details of the type of damage to the freight and packaging.

2 /

Ask the delivery driver to call the local terminal and report immediately.

3 /

Contact Varsity Scoreboards immediately while the delivery driver is still present to report the damage

- A. Phone number
- B. Email

Shipping damage **must** be noted at the time of delivery. The shipper is **not responsible** for shipments that aren't sighted for as damaged upon arrival. The shipper is responsible for filing a claim, unless shipped 3rd party.



INSTALLATION OVERVIEW

This manual will walk you through the installation of the scoreboard. While care has been taken to consider the many scenarios for installation, some general information applies to all. Follow this guide as closely as possible to ensure proper installation.

1 /

Review the product specifications below to determine your specific installation hardware.

2 /

Determine the scoreboards location and orientation.

3 /

Mount the scoreboard on a wall, or suspend the scoreboard from a structure such as a ceiling.

4 /

Run and connect the electrical service to the scoreboard.

5 /

Test the installed system.



PRODUCT SPECIFICATIONS

OVERALL DIMENSIONS

8' L x 4' W x 8" D - shipped in one (1) section

WEIGHT

Hanging weight = approximately 135 lbs
Shipping weight = approximately 170 lbs

CONSTRUCTION

22-gauge galvanized steel cabinet with powder coat finish for strength, durability, and lasting appearance

INSTALLATION RECOMMENDATIONS

We recommend this model to be installed by mounting to a wall or suspending the scoreboard from the ceiling.

Installation hardware not supplied. Check local code for requirements. Anchors, bolts, chains, cables and related hardware must meet minimum weight requirements.



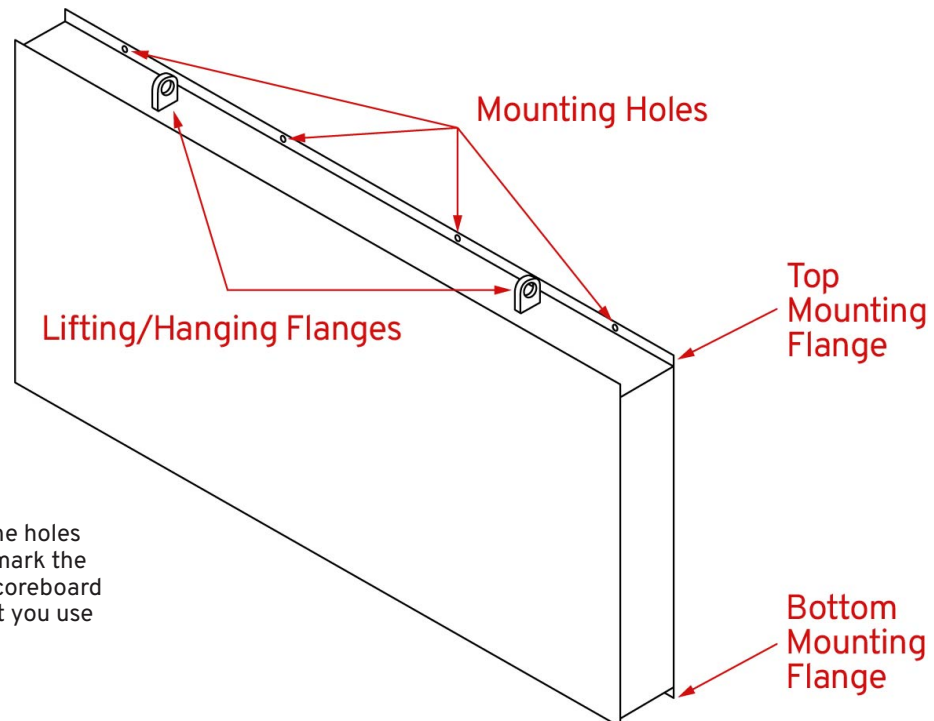
MOUNTING THE SCOREBOARD ON A WALL

Carefully remove the scoreboard from its packaging, making sure not to pry against or cut into the cabinet. Inspect each unit for shipping damage according to the instructions on page 6.

1 /

Connect a lift device to the two hanging brackets on the top of the scoreboard and lift the scoreboard into place. Refer to the illustration to see the location of the hanging/lifting holes.

NOTE: Use hardware appropriate for the wall type you are mounting to and capable of supporting the weight of the scoreboard. No mounting brackets are necessary as the pre-drilled mounting flanges on the top and bottom of the scoreboard are provided to mount the scoreboard directly to the wall. The scoreboard must be attached to the wall securely through all four (4) mounting holes in the top and bottom mounting flanges. (See the figure for location of mounting holes and mounting flanges.)



2 /

Lift the scoreboard to the desired location and mark the holes in the top and bottom flanges. It may be necessary to mark the top flange, install anchors, and secure the top of the scoreboard before having access to the bottom flange. Ensure that you use all four mounting holes in the top and bottom flanges.



HANGING THE SCOREBOARD FROM THE CEILING

Carefully remove the scoreboard from its packaging, making sure not to pry against or cut into the cabinet. Inspect each unit for shipping damage according to the instructions on page 6.

1 /

If eye bolts, cables, or chains are to be used to suspend the scoreboard, ensure that they are capable of supporting the weight of the scoreboard. Choose one of the following methods to get the scoreboard into place:

Connect the cables or chains you will use to suspend the scoreboard to the hanging brackets on top of the scoreboard cabinet using “C” clips or clevises. Connect the strap, cable, or chain you will use to lift the scoreboard to the two outside mounting holes in the top rear flange.

OR

Connect the cables or chains you will use to suspend the scoreboard to the hanging brackets on top of the scoreboard cabinet using “C” clips or clevises. Connect the strap, cable, or chain you will use to lift the scoreboard to the same “C” clips or clevises.

3 /

If the scoreboard will be against the lift during lifting, place cardboard or foam between the lift and scoreboard to protect the face of the scoreboard. Lift the scoreboard into place. Check clearance during lift. Connect the suspension system and lower the scoreboard until its weight is on the suspension system and disconnect the lifting cables from the scoreboard.

4 /

Place a level in the top channel of the scoreboard cabinet to see if adjustments need to be made.

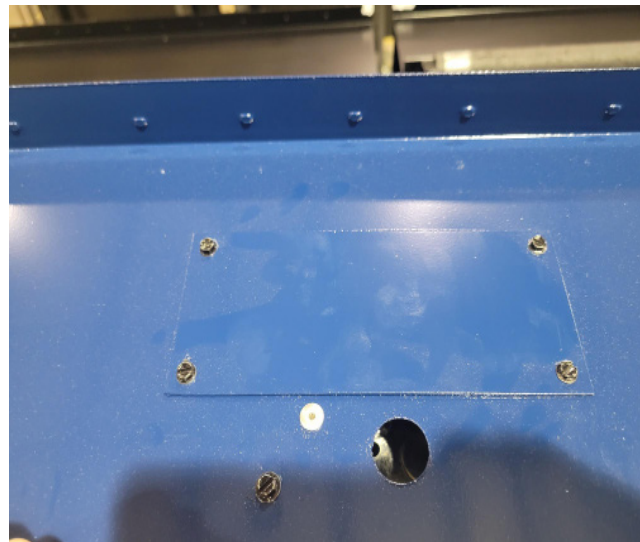
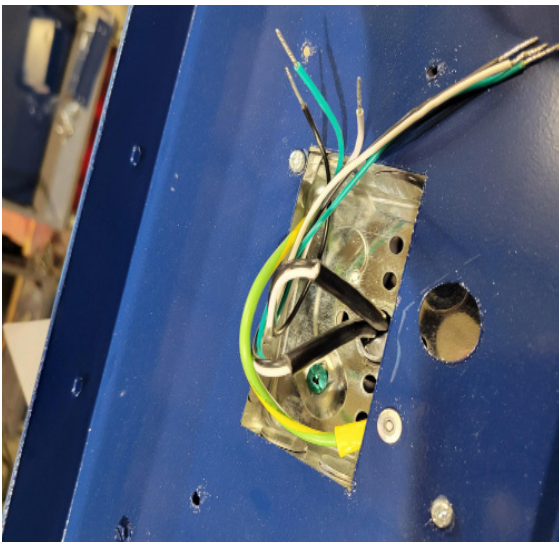
NOTE: It is recommended that the cables will be used to permanently suspend the scoreboard be attached to the ceiling structure first, then to the scoreboard’s hanging brackets after it is lifted into position using a lifting device.



RUNNING & CONNECTING THE ELECTRIC SERVICE

NOTE:

THIS PORTION OF THE INSTALLATION REQUIRES A LICENSED ELECTRICIAN. IDEALLY, THE SCOREBOARD WILL BE POWERED FROM A DEDICATED 120V/20A CIRCUIT. ADDITIONALLY, SINCE THE SCOREBOARD'S POWER SHOULD BE TURNED OFF AFTER EACH USE, THERE SHOULD BE EASY ACCESS TO THE POWER SWITCH OR CIRCUIT BREAKER. IF ACCESS TO THE CIRCUIT BREAKER IS NOT AN OPTION, INSTALL A SWITCH SOMEWHERE THAT IS ACCESSIBLE, EVEN IF UNDER THE SCOREBOARD AT AN ABOVE AVERAGE HEIGHT.



1 /

Open the power/signal access door on the top of the scoreboard. Locate the power input wires.

2 /

The connections are standard black, white, and green (ground). Included is a utility ground which must be used. Make up the power supply connections and replace the utility box cover.

3 /

Close and secure the power/signal access door.

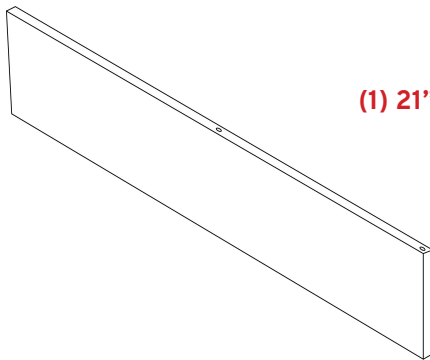
NOTE: The location of the disconnect switch after installation shall comply with Article 600 of the National Electric Code.



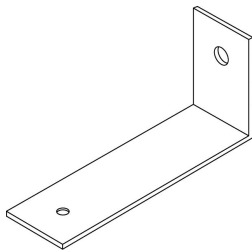
INSTALLING SPONSOR PANELS

NOTE:

DETERMINE NUMBER OF SPONSOR PANELS
BEING INSTALLED AND THEIR LOCATION.



(1) 21" x 8' Panel



(3) Mounting Brackets



(3) 3/8-16 x 3/4" Bolts



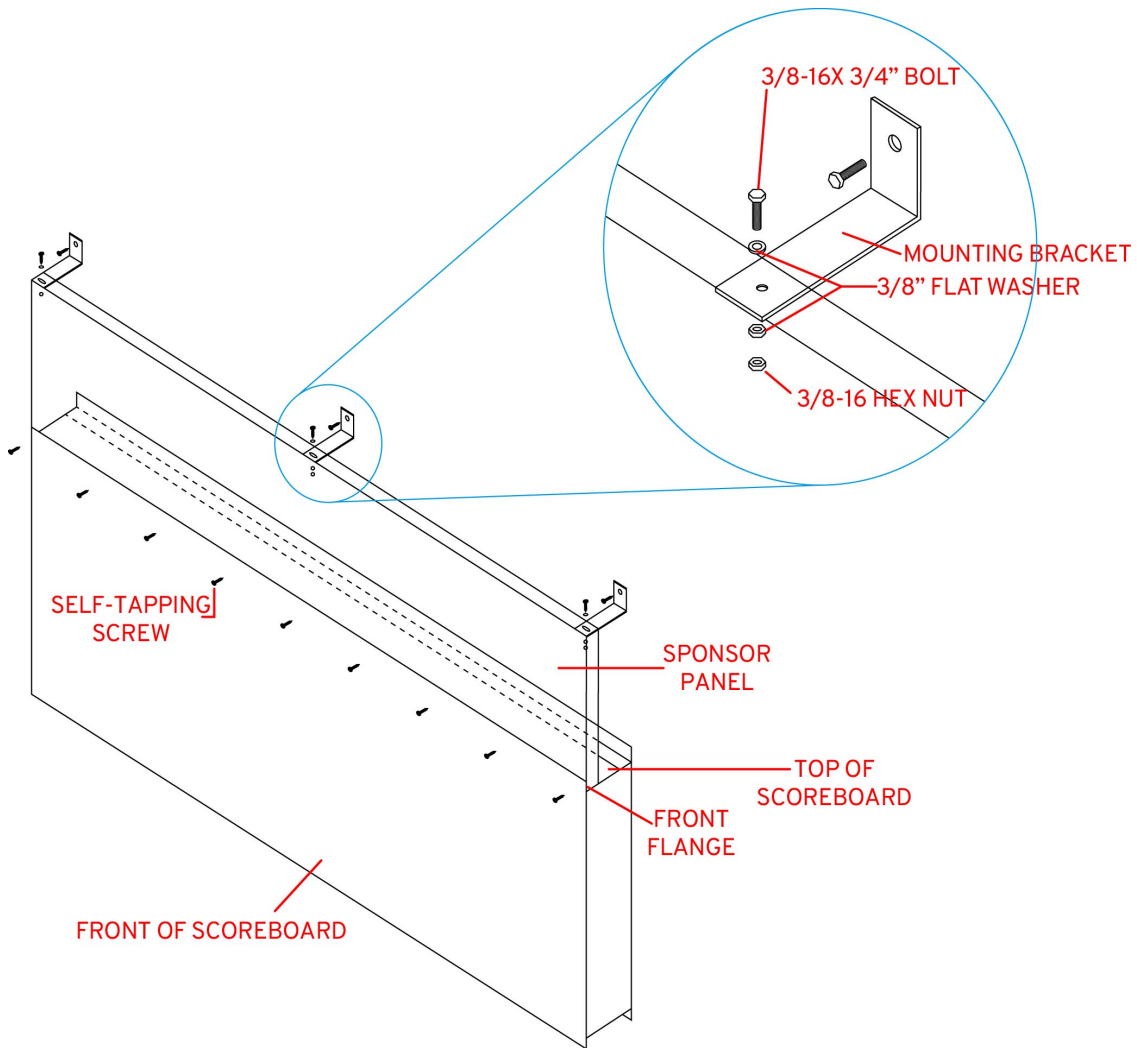
(3) 3/8-16 Hex Nuts



(9) #8 x 1/2" Self Tap
Screws



(6) M3/8" Flat Washers

**1 /**

Before the sponsor panel is lifted into place, attach the mounting brackets to the panel using the supplied hardware. The brackets fit inside the panel (**Illustrated above**). The top (for top-mounted installations) or the bottom (for bottom-mounted installations) of each panel is pre-drilled for the brackets.

2 /

Lift the sponsor panel into place with the panel resting on top of the scoreboard for top-mounted installations or against the bottom of the scoreboard for bottom-mounted installations. The face of the panel should be flat against the scoreboard's front flange (**Illustrated above**).

3 /

Secure the mounting brackets to the wall, using mounting hardware appropriate to the surface (**Illustrated above**). All mounting hardware required for securing the panel to the wall is the responsibility of the installer.

4 /

Install self tap screws through the scoreboard's front flange and into the sponsor panel face, spaced evenly.

NOTE: To avoid damaging border striping please drill approximately 1 inch from the edge of scoreboard's flange.



TESTING THE INSTALLED SYSTEM

Please refer to the OPERATORS MANUAL for startup instructions.

AFTER INSTALLATION IS COMPLETE, HAVE THE INSTALLER TEST THE SCOREBOARD BY FOLLOWING THE STEPS BELOW:

1 /

While holding down the OPTIONS button, turn the wireless controller on

2 /

The screen will display "Select Diag Mode." Press the down arrow once to scroll to "Digit Test." Press ENTER.

3 /

The screen will display "Segment Test" and "Segments Off". Press the down arrow once to display "Segments On". When all segments are on, all digits should display "8"

4 /

Press the down arrow again to display "Digits Count". All digits should continuously count from 0-9

5 /

If all digits turn on and count, the installer can then turn off the wireless controller.

Congratulations!

You've successfully installed your Varsity Scoreboard!

If any problems arise, please have the installer call Varsity Scoreboards Customer Service at 800-411-3136 while the installer is still present at the scoreboard.

VARSIITY / 
SCOREBOARDS /